

General information

Totally coated with PTFE

Complete coated connection line

20 years tested of coating in toughest environmental conditions and applications

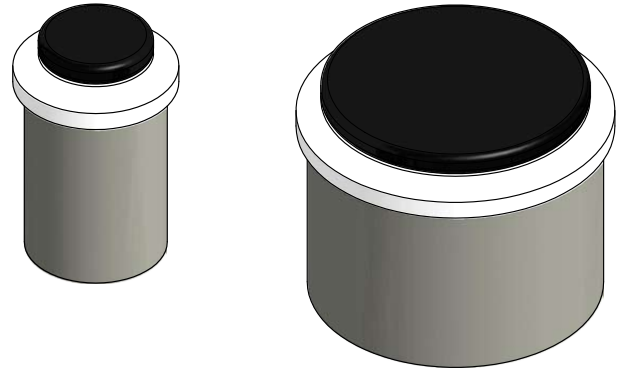
Low weight

Special consistent heat distribution

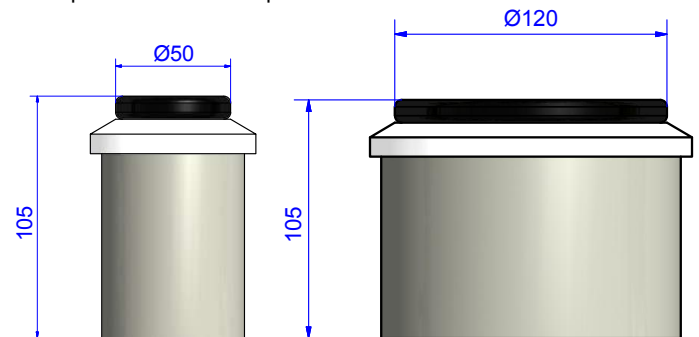
Very fast warming on low energy consumption

Save long-term operation by two separate safety devices

IP67 protected connection plug for simple connection in application room



Example dimensions hot plate



Optional configuration

MK-control panel for simultaneous control of up to 100 TAE, with different dimensions, single or compound control

Control via remote control or via a central control unit

Traceability of samples

- sample depending receipts with RFID technology
- unambiguous identification of samples and hot plate

Direct control of temperature profile

Individual receipts by time, temperature and temperature gradient

Lab 4.0 / LIMS-integration

Monitoring of sample temperature by chemical consistent sample sensor

Technical data

Operating temperature 200°C

Control precision $\leq 0,5^{\circ}\text{C}$

Supply voltage 230VAC

Power 450 – 900W, depending on dimension

Reactivation after safety shutdown

PT-100 temperature sensor

Range of models

Individual dimensions and designs for special application on request

for 2in, 3in, 4in, 5in and up to 12in wafer

