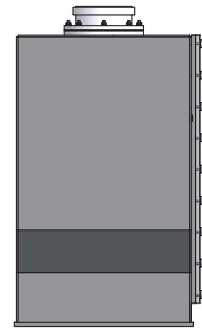
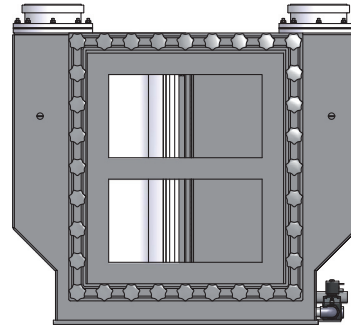
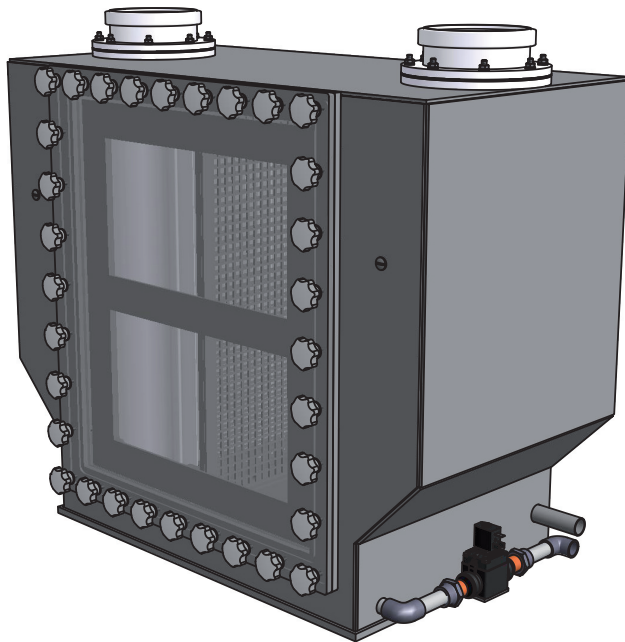


Exhaust air scrubber



General information

Spray absorption system for the cleaning of smoke and process gases

Compact design

Completely manufactured from modern thermoplastics

Horizontal airflow

High humidification performance with optimal flowrate current

Prevention of washing liquid outlet by droplet separator and filters

Water is used as washing liquid

High operating safety

Calibrated to operate with our metal-free workstations

Individual control settings

Optional configuration

Circulation pump with control system of waste water and fresh water

pH-value monitoring

Specifications

Material	PVC (polyvinyl chloride)
Dimensions (WxHxD)	800 mm x 680 mm x 400 mm
Capacity	150 - 300 m ³ /h
Pressure loss	30 - 60 Pa
Air connection	Flange with socket Ø125
Amount of water	approx. 12 l/h
Water connection	Adapter 3/4"
Voltage / Frequency	230 V AC/ 50-60 Hz

Models

Exhaust air scrubber Typ I

Individual dimensions can be supplied according to purpose!

