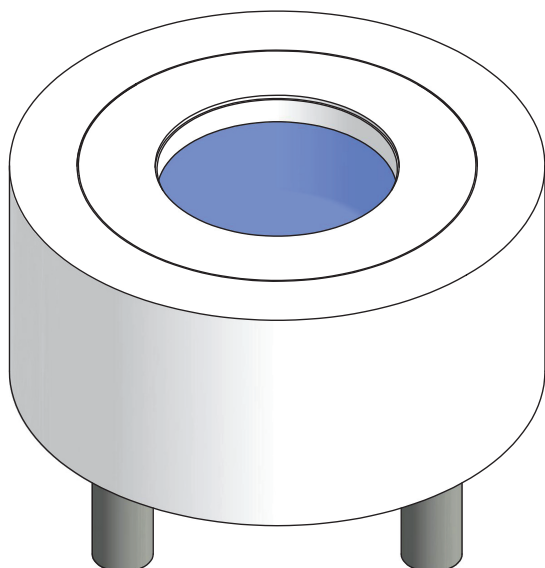
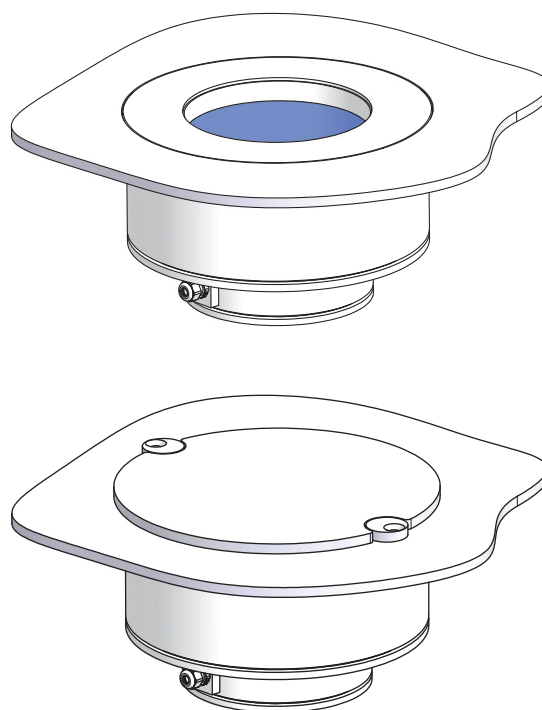


Ultrasonic cleaning device



Ultrasonic cleaning device with sleeve



Ultrasonic cleaning device built in a table top with lid

General information

Oscillating tank: Interior dimensions Dia 214 mm, 103 mm high

Degree of protection: IP 64

Time switch: 1 – 15 min and ∞ adjusted by software

Optional configuration

MK control panel for simultaneous control

Control unit

Technical data

3 transducers 40kHz

High-frequency generator: overload protected, constant power

Operating mode: double half-wave

Frequency: 40 kHz automatic frequency control

Ultrasonic peak output: 480 W corresponds to 4 times High-frequency output

Current consumption: 230 V – 0,6 A; 115 V – 1,1 A

High-frequency power: 120 W_{eff}

Mains connection: 230 V~ ($\pm 10\%$), alternatively 115 V~ ($\pm 10\%$), 50/60 Hz

Leakage current: < 0,5 mA

